

GALEA

5087YGC125P30-12

EAN 4031582355598

Swivel castor with total lock, tail end of castor, housing made of Polyamide, double ball bearing swivel head, bolt hole. Wheel centre made of Polypropylene, electric conductive, Tread: TENTEprene (thermoplastic rubber), grey non-marking, with threadguards, precision ball bearing, stainless
Hint: These castors are also with grey locking lever available.



BETTER MOBILITY. BETTER LIFE.



Picture may differ from original product

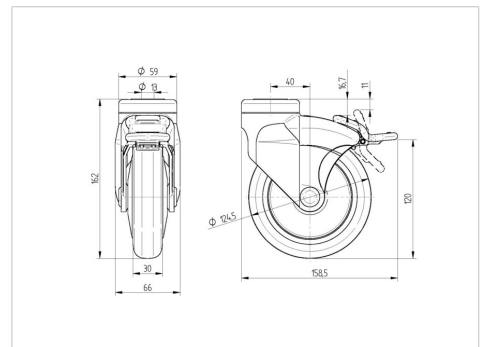
Technical Data

Wheel diameter	125 mm
Wheel width	30 mm
Centre hole	12 mm
Offset	40 mm
Swivel Interference	205 mm
Overall height	162 mm
Temperature	-20 / +60 °C
Standard	EN_12530
Hardness of tread	Shore A 87
Load capacity	100 kg
Load capacity (static)	200 kg

Advantages at a glance

Roll performance	● ● ● ○ ○
Movement noise	● ● ● ○ ○
Attrition	● ● ● ○ ○
Corrosion resistance	● ● ● ● ●

Dimensions



Structure & Mounting

