

ALPHA

8478UFD160P63

EAN 4031582347173

Fixed castor, Fork made of Stainless Steel, wheel axle with nut, plate fitting.

Wheel centre made of Polyamide, Tread: elastic-tyre, non-marking, roller bearing, stainless



BETTER MOBILITY. BETTER LIFE.

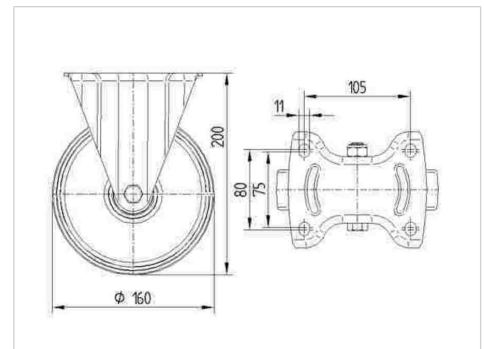


Picture may differ from original product

Technical Data

| | |
|------------------------|----------------|
| Wheel diameter | 160 mm |
| Wheel width | 46 mm |
| Castor width | 115 mm |
| Size of Plate | 137 x 115 mm |
| Plate hole centres | 105 x 80/75 mm |
| Plate hole | 11 mm |
| Overall height | 200 mm |
| Temperature | - 20 / + 80 °C |
| Standard | EN_12532 |
| Weight | 1.763 kg |
| Hardness of tread | Shore A 63 |
| Load capacity | 300 kg |
| Load capacity (static) | 600 kg |

Dimensions



Advantages at a glance

| | |
|----------------------|-----------|
| Roll performance | ● ● ● ○ ○ |
| Movement noise | ● ● ● ● ● |
| Attrition | ● ● ● ○ ○ |
| Corrosion resistance | ● ● ● ● ● |

ALPHA

8478UFD160P63

EAN 4031582347173



BETTER MOBILITY. BETTER LIFE.

Structure & Mounting

