

ALPHA

8470IDG100P62

EAN 4031582346701

Swivel castor, Housing made of Stainless Steel, double ball bearing swivel head, wheel axle with nut, plate fitting. Wheel centre made of Aluminium, Tread: heat resisting silicone rubber, damping, self-lubricating bushing



BETTER MOBILITY. BETTER LIFE.



Picture may differ from original product

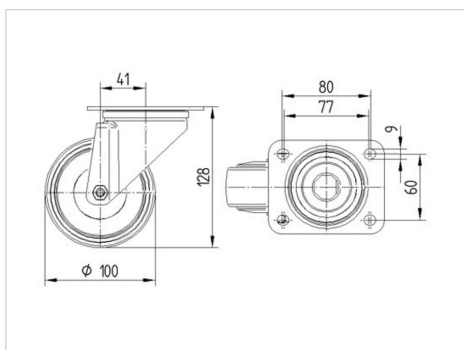
Technical Data

Wheel diameter	100 mm
Wheel width	35 mm
Castor width	75 mm
Size of Plate	105 x 85 mm
Plate hole centres	80/77 x 60 mm
Plate hole	9 mm
Dome-Ø	75 mm
Offset	41 mm
Swivel Interference	182 mm
Overall height	128 mm
Temperature	- 30 / + 250 °C
Standard	EN_12532
Weight	0.998 kg
Swivel Radius	91 mm
Hardness of tread	Shore A 75
Load capacity	80 kg
Load capacity (static)	160 kg

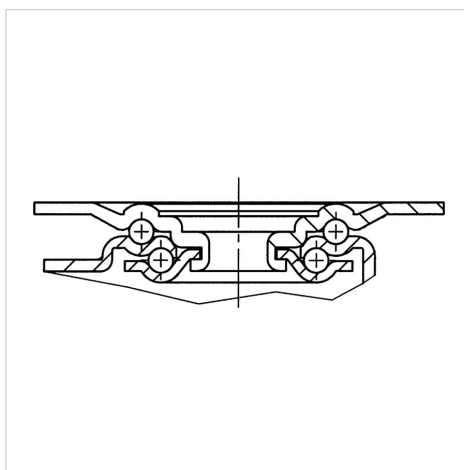
Advantages at a glance

Roll performance	● ● ● ○ ○
Movement noise	● ● ● ○ ○
Attrition	● ● ● ○ ○
Corrosion resistance	● ● ● ● ●

Dimensions



Structure & Mounting



ALPHA

8470IDG100P62

EAN 4031582346701



BETTER MOBILITY. BETTER LIFE.

Structure & Mounting

