

LUMINA

A520POI050B10-11x20 DOM38

EAN 4031582317275

Swivel castor, housing made of Polypropylene, stem with circlip. Wheel centre made of Polypropylene, plain bearing



BETTER MOBILITY. BETTER LIFE.

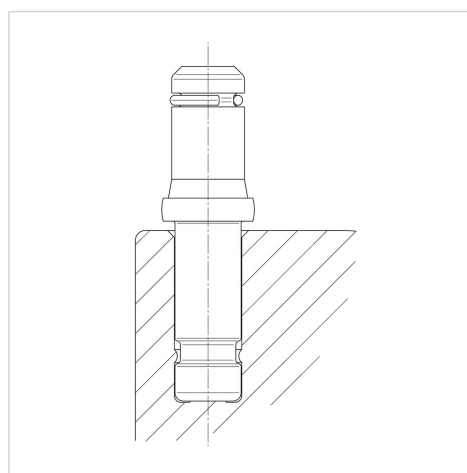


Picture may differ from original product

Technical Data

| | |
|-------------------------|----------------|
| Wheel diameter | 50 mm |
| Wheel width | 8 mm |
| Castor width | 55 mm |
| Metal stem with circlip | 11 x 20 mm |
| Dome-Ø | 38 mm |
| Offset | 20 mm |
| Swivel Interference | 104 mm |
| Overall height | 61 mm |
| Temperature | - 20 / + 60 °C |
| Standard | EN12529 |
| Weight | 0.096 kg |
| Swivel Radius | 52 mm |
| Hardness of tread | Shore D 65 |
| Load capacity | 40 kg |
| Load capacity (static) | 80 kg |

Structure & Mounting



Advantages at a glance

| | |
|----------------------|-----------|
| Roll performance | ● ● ● ○ ○ |
| Movement noise | ● ● ● ○ ○ |
| Attrition | ● ● ● ○ ○ |
| Corrosion resistance | ● ● ● ○ ○ |