

INTEGRAL

2044UAP150R26-28S45 4xM8

EAN 4031582300185

Swivel castor with central, total lock and central directional lock, frame made of pressed steel, precision ball bearing in swivel head and wheel, housing cover made of synthetic plastics, stem with cam hole for profile bars. Wheel centre made of Polyamide, Tread: Polyurethane, precision ball bearing

Hint: TÜV Süd certified product.



BETTER MOBILITY. BETTER LIFE.

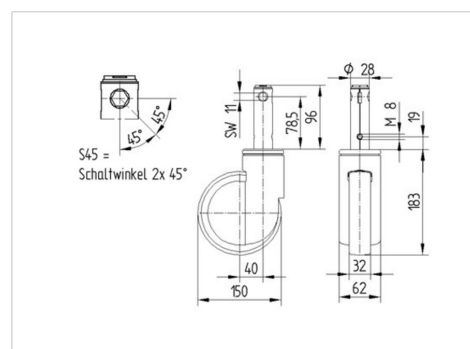


Picture may differ from original product

Technical Data

| | |
|------------------------|----------------|
| Wheel diameter | 150 mm |
| Wheel width | 32 mm |
| Castor width | 62 mm |
| Bolt-Ø | 28 mm |
| Bolt length | 96 mm |
| Dome-Ø | 62 mm |
| Offset | 40 mm |
| Swivel Interference | 230 mm |
| Overall height | 183 mm |
| Temperature | - 25 / - 25 °C |
| Standard | EN_12531 |
| Weight | 0.99 kg |
| Swivel Radius | 115 mm |
| Hardness of tread | Shore D 42 |
| Load capacity | 150 kg |
| Load capacity (static) | 450 kg |

Dimensions



Advantages at a glance

| | |
|----------------------|-----------|
| Roll performance | ● ● ● ○ ○ |
| Movement noise | ● ● ● ○ ○ |
| Attrition | ● ● ● ● ○ |
| Corrosion resistance | ● ● ● ○ ○ |

INTEGRAL

2044UAP150R26-28S45 4xM8

EAN 4031582300185



BETTER MOBILITY. BETTER LIFE.

Structure & Mounting

