

# PURETECH

PVO080x35-Ø12

EAN 4031582321180

Wheel centre made of Polypropylene, Tread: solid rubber, black, plain bearing



BETTER MOBILITY. BETTER LIFE.

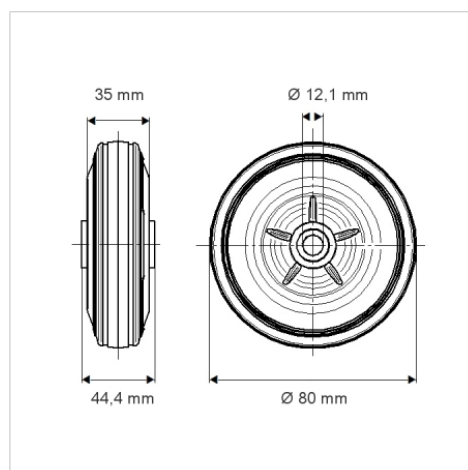


Picture may differ from original product

## Technical Data

|                        |                |
|------------------------|----------------|
| Wheel diameter         | 80 mm          |
| Wheel width            | 35 mm          |
| Axle Hole-Ø            | 12.1 mm        |
| Hub length             | 44.4 mm        |
| Temperature            | - 20 / + 60 °C |
| Standard               | EN_12532       |
| Weight                 | 0.151 kg       |
| Hardness of tread      | Shore A 80     |
| Load capacity          | 70 kg          |
| Load capacity (static) | 140 kg         |

## Dimensions



## Advantages at a glance

|                      |           |
|----------------------|-----------|
| Roll performance     | ● ● ○ ○ ○ |
| Movement noise       | ● ● ● ○ ○ |
| Attrition            | ● ● ○ ○ ○ |
| Corrosion resistance | ● ● ● ○ ○ |