

# SCOUT

## 814WUFC200P60 180° smart

EAN 4031582429947

Swivel castor, stainless steel housing with wheel brake and automatic directional stability, precision ball bearing in swivel bearing with long-life grease, swivel bearing with dust protection and grease nipple, wheel brake according to ball-pen principle, plate fitting. Swivel castor with automatic directional stability and wheel brake, plate fitting. Wheel centre made of polyamide, tread made of a non-marking elastic tyre, with small thread guard, two INOX precision ball bearings, sealed, washable



BETTER MOBILITY. BETTER LIFE.

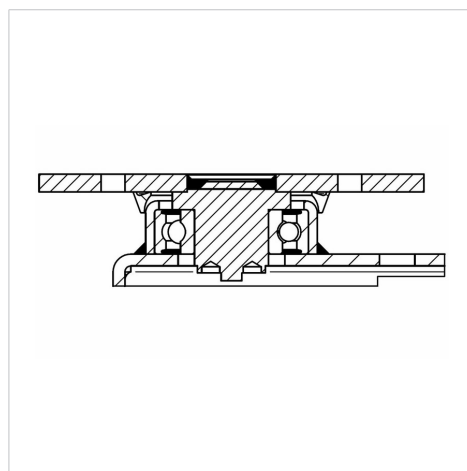


Picture may differ from original product

### Technical Data

|                     |              |
|---------------------|--------------|
| Wheel diameter      | 200 mm       |
| Wheel width         | 40 mm        |
| Castor width        | 72 mm        |
| Size of Plate       | 130 x 74 mm  |
| Plate hole centres  | 110 x 50 mm  |
| Plate hole          | 10,5 mm      |
| Offset              | 50 mm        |
| Swivel Interference | 324 mm       |
| Overall height      | 242 mm       |
| Temperature         | -20 / +80 °C |
| Weight              | 3.143 kg     |
| Swivel Radius       | 162 mm       |
| Hardness of tread   | Shore A 64   |
| Load capacity       | 150 kg       |

### Structure & Mounting



### Advantages at a glance

|                      |           |
|----------------------|-----------|
| Roll performance     | ● ● ● ○ ○ |
| Movement noise       | ● ● ● ● ● |
| Attrition            | ● ● ● ○ ○ |
| Corrosion resistance | ● ● ● ○ ○ |

# SCOUT

814WUFC200P60 180° smart

EAN 4031582429947



BETTER MOBILITY. BETTER LIFE.

## Structure & Mounting

