

# COMPACTA

1298UOI014P80

EAN 4031582300024



BETTER MOBILITY. BETTER LIFE.

Fixed castor, Fork made of pressed steel, bright zinc plated, blue passivated, axle riveted, Plate, round.

Wheel centre made of Polyamide, plain bearing

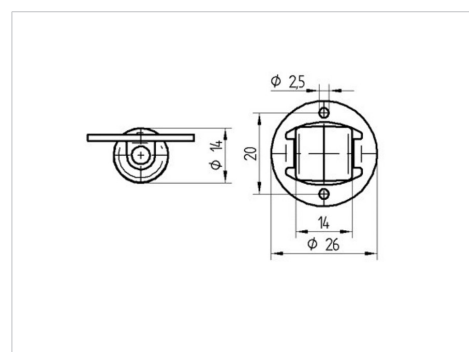


Picture may differ from original product

## Technical Data

Wheel diameter	14 mm
Wheel width	14 mm
Castor width	19 mm
Size of Plate	26 mm
Plate hole centres	20 mm
Plate hole	2,5 mm
Dome-Ø	19 mm
Overall height	13.5 mm
Temperature	- 20 / + 60 °C
Standard	EN_12528
Weight	0.008 kg
Hardness of tread	Shore D 65
Load capacity	15 kg
Load capacity (static)	30 kg

## Dimensions



## Advantages at a glance

Roll performance	● ● ● ● ○
Movement noise	● ● ● ○ ○
Attrition	● ● ● ● ●
Corrosion resistance	● ● ● ○ ○