

# INTEGRAL

2044XSX125R26-28S45 4xM8

EAN 4031582340693

Swivel castor with central, total lock and central directional lock, frame made of pressed steel, precision ball bearing in swivel head and wheel, housing cover made of synthetic plastics, stem with cam hole for profile bars. Wheel centre made of Polyamide, electric conductive, Tread made of injected Polyurethane, with threadguards, precision ball bearing, sealed

Hint: TÜV Süd certified product. Washable beds must be sealed in the fitting area by the hospital bed manufacturer.



BETTER MOBILITY. BETTER LIFE.

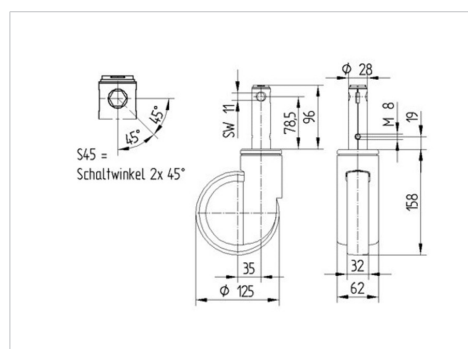


Picture may differ from original product

## Technical Data

|                        |                |
|------------------------|----------------|
| Wheel diameter         | 125 mm         |
| Wheel width            | 32 mm          |
| Castor width           | 62 mm          |
| Bolt-Ø                 | 28 mm          |
| Bolt length            | 96 mm          |
| Dome-Ø                 | 62 mm          |
| Offset                 | 35 mm          |
| Swivel Interference    | 195 mm         |
| Overall height         | 158 mm         |
| Temperature            | - 25 / - 25 °C |
| Standard               | EN_12531       |
| Weight                 | 0.946 kg       |
| Swivel Radius          | 97.5 mm        |
| Hardness of tread      | Shore D 40     |
| Load capacity          | 150 kg         |
| Load capacity (static) | 450 kg         |

## Dimensions



## Advantages at a glance

|                      |           |
|----------------------|-----------|
| Roll performance     | ● ● ● ○ ○ |
| Movement noise       | ● ● ● ○ ○ |
| Attrition            | ● ● ● ○ ○ |
| Corrosion resistance | ● ● ● ○ ○ |

# INTEGRAL

2044XSX125R26-28S45 4xM8

EAN 4031582340693



BETTER MOBILITY. BETTER LIFE.

## Structure & Mounting

---

