

SCOUT

814SUFC200P60 180°

EAN 4031582428797

Swivel castor, stainless steel housing and automatic directional stability, precision ball bearing in swivel bearing with long-term grease, swivel bearing with dust protection and grease nipple, plate fitting, prepared for optional directional lock Swivel castor with automatic directional stability, plate fitting. Wheel centre made of polyamide, tread made of a non-marking elastic tyre, with small thread guard, two INOX precision ball bearings, sealed, washable



BETTER MOBILITY. BETTER LIFE.



Picture may differ from original product

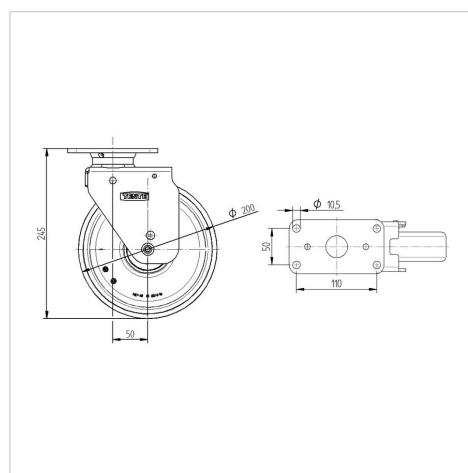
Technical Data

Wheel diameter	200 mm
Wheel width	46 mm
Castor width	74 mm
Size of Plate	130 x 74 mm
Plate hole centres	110 x 50 mm
Plate hole	10,5 mm
Dome-Ø	68 mm
Offset	50 mm
Swivel Interference	300 mm
Overall height	245 mm
Temperature	- 20 / + 80 °C
Standard	similar_EN12532
Weight	3.262 kg
Swivel Radius	150 mm
Hardness of tread	Shore A 64
Load capacity	250 kg
Load capacity (static)	500 kg

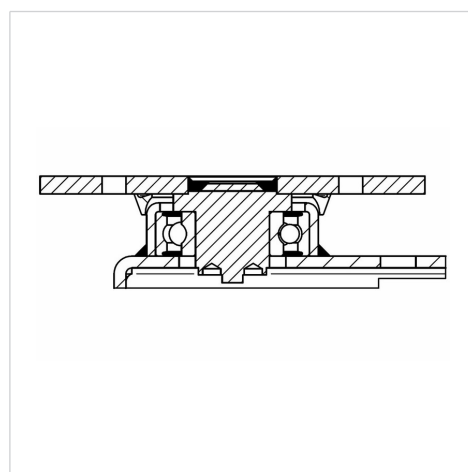
Advantages at a glance

Roll performance	● ● ● ● ○
Movement noise	● ● ● ● ●
Attrition	● ● ● ○ ○
Corrosion resistance	● ● ● ● ●

Dimensions



Structure & Mounting



SCOUT

814SUFC200P60 180°

EAN 4031582428797



BETTER MOBILITY. BETTER LIFE.

Structure & Mounting

