

# SCOUT

## 814WUFC200P60 180° smart

EAN 4031582429947

Swivel castor, stainless steel housing with wheel brake and automatic directional stability, precision ball bearing in swivel bearing with long-life grease, swivel bearing with dust protection and grease nipple, wheel brake according to ball-pen principle, plate fitting. Swivel castor with automatic directional stability and wheel brake, plate fitting. Wheel centre made of polyamide, tread made of a non-marking elastic tyre, with small thread guard, two INOX precision ball bearings, sealed, washable



BETTER MOBILITY. BETTER LIFE.

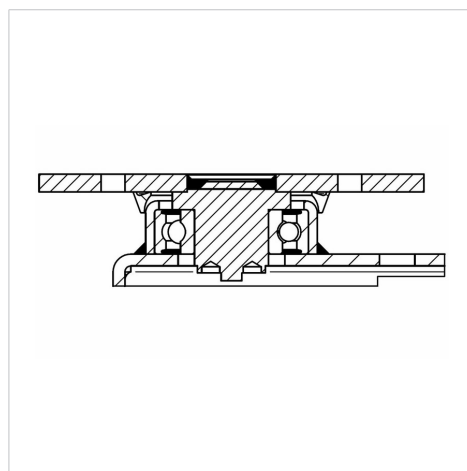


Picture may differ from original product

### Technical Data

Wheel diameter	200 mm
Wheel width	40 mm
Castor width	72 mm
Size of Plate	130 x 74 mm
Plate hole centres	110 x 50 mm
Plate hole	10,5 mm
Offset	50 mm
Swivel Interference	324 mm
Overall height	242 mm
Temperature	-20 / +80 °C
Weight	3.143 kg
Swivel Radius	162 mm
Hardness of tread	Shore A 64
Load capacity	150 kg

### Structure & Mounting



### Advantages at a glance

Roll performance	● ● ● ○ ○
Movement noise	● ● ● ● ●
Attrition	● ● ● ○ ○
Corrosion resistance	● ● ● ○ ○

# SCOUT

814WUFC200P60 180° smart

EAN 4031582429947



BETTER MOBILITY. BETTER LIFE.

## Structure & Mounting

