

DELTA

3641ITP200P63 Flat

EAN 4031582337464

Swivel castor with directional lock, housing made of heavy pressed steel, bright zinc plated, blue passivated, precision ball bearing swivel head, sealed, wheel axle with nut, plate fitting. Wheel centre made of Aluminium, Tread: Polyurethane, casted, precision ball bearing



BETTER MOBILITY. BETTER LIFE.



Picture may differ from original product

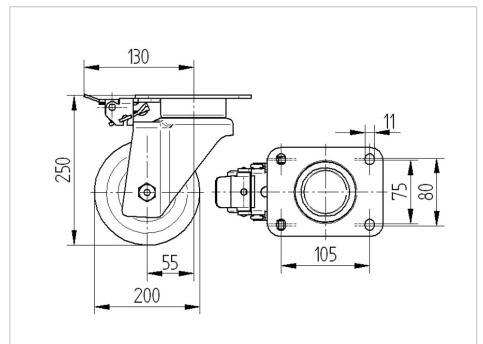
Technical Data

| | |
|------------------------|----------------|
| Wheel diameter | 200 mm |
| Wheel width | 50 mm |
| Castor width | 94 mm |
| Size of Plate | 137 x 105 mm |
| Plate hole centres | 105 x 80/75 mm |
| Plate hole | 11 mm |
| Dome-Ø | 94 mm |
| Offset | 55 mm |
| Swivel Interference | 310 mm |
| Overall height | 250 mm |
| Temperature | - 10 / + 60 °C |
| Standard | EN_12532 |
| Weight | 3.546 kg |
| Swivel Radius | 155 mm |
| Hardness of tread | Shore A 92 |
| Load capacity | 600 kg |
| Load capacity (static) | 1200 kg |

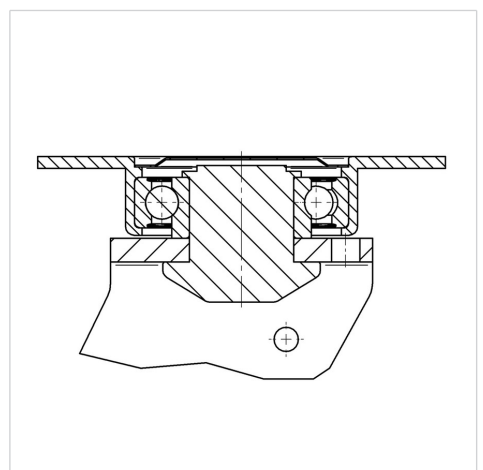
Advantages at a glance

| | |
|----------------------|-----------|
| Roll performance | ● ● ● ○ ○ |
| Movement noise | ● ● ● ○ ○ |
| Attrition | ● ● ● ● ○ |
| Corrosion resistance | ● ● ● ○ ○ |

Dimensions



Structure & Mounting



DELTA

3641ITP200P63 Flat

EAN 4031582337464



BETTER MOBILITY. BETTER LIFE.

Structure & Mounting

