

INTEGRAL

2044XSX200R26-28S45 RAL 9002 4xM8

EAN 4031582443219



BETTER MOBILITY. BETTER LIFE.

Swivel castor with central, total lock and central directional lock, frame made of pressed steel, precision ball bearing in swivel head and wheel, housing cover made of synthetic plastics, stem with cam hole for profile bars. Wheel centre made of Polyamide, electric conductive, Tread made of injected Polyurethane, with threadguards, precision ball bearing, sealed

Hint: TÜV Süd certified product. Washable beds must be sealed in the fitting area by the hospital bed manufacturer.

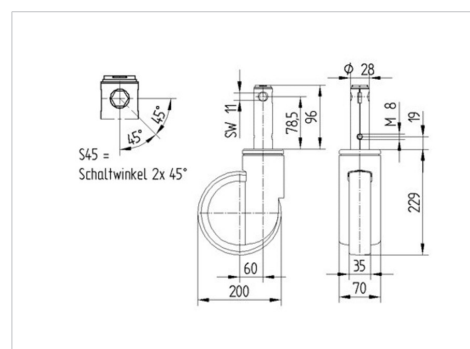


Picture may differ from original product

Technical Data

Wheel diameter	200 mm
Wheel width	35 mm
Bolt-Ø	28 mm
Bolt length	96 mm
Offset	60 mm
Swivel Interference	320 mm
Overall height	229 mm
Temperature	- 30 / + 80 °C
Standard	similar_EN12531
Weight	1.673 kg
Swivel Radius	160 mm
Hardness of tread	Shore D 59
Load capacity	150 kg
Load capacity (static)	450 kg

Dimensions



Advantages at a glance

Roll performance	● ● ● ○ ○
Movement noise	● ● ● ○ ○
Attrition	● ● ● ○ ○
Corrosion resistance	● ● ● ○ ○

INTEGRAL

2044XSX200R26-28S45 RAL 9002 4xM8

EAN 4031582443219



BETTER MOBILITY. BETTER LIFE.

Structure & Mounting



product
design award
winner



reddot design award
winner

