

SUPRATECH

PJR160x40-Ø20

EAN 4031582348576

Wheel centre made of Polypropylene, Tread: TENTEprene (thermoplastic rubber), non-marking, roller bearing



BETTER MOBILITY. BETTER LIFE.

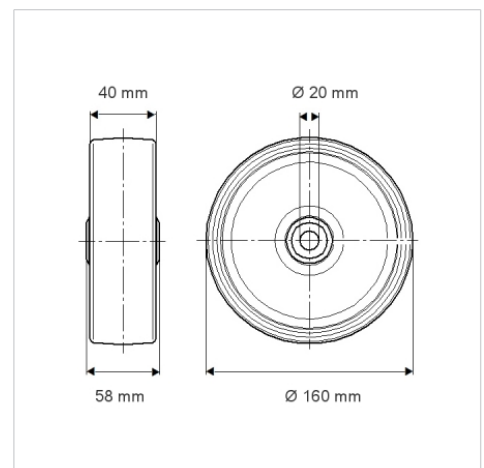


Picture may differ from original product

Technical Data

| | |
|------------------------|----------------|
| Wheel diameter | 160 mm |
| Wheel width | 40 mm |
| Axle Hole-Ø | 20 mm |
| Hub length | 58 mm |
| Temperature | - 20 / + 60 °C |
| Standard | EN_12532 |
| Weight | 0.544 kg |
| Hardness of tread | Shore A 80 |
| Load capacity | 160 kg |
| Load capacity (static) | 320 kg |

Dimensions



Advantages at a glance

| | |
|----------------------|-----------|
| Roll performance | ● ● ● ○ ○ |
| Movement noise | ● ● ● ○ ○ |
| Attrition | ● ● ● ○ ○ |
| Corrosion resistance | ● ● ● ○ ○ |