

DURATECH

UOP200x50-Ø12,5

EAN 4031582323511

Wheel centre made of Polyamide, precision ball bearing



BETTER MOBILITY. BETTER LIFE.

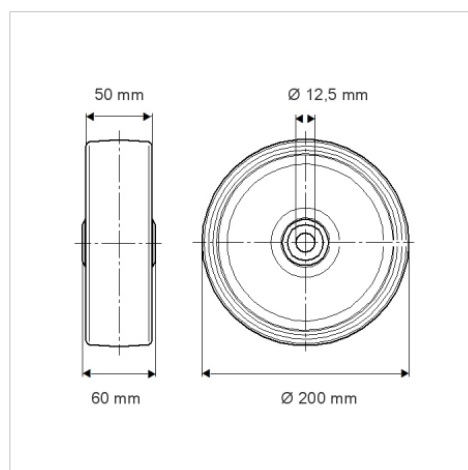


Picture may differ from original product

Technical Data

Wheel diameter	200 mm
Wheel width	50 mm
Axle Hole-Ø	12.5 mm
Hub length	60 mm
Temperature	- 25 / + 80 °C
Standard	EN_12532
Weight	0.811 kg
Hardness of tread	Shore D 75
Load capacity	800 kg
Load capacity (static)	1600 kg

Dimensions



Advantages at a glance

Roll performance	● ● ● ● ●
Movement noise	● ● ● ○ ○
Attrition	● ● ● ● ●
Corrosion resistance	● ● ● ○ ○