

# COMPACTA

1430POI032P60-38X32

EAN 4031582336665

Swivel castor, housing made of pressed steel, bright zinc plated, blue passivated, single ball race swivel head, axle riveted, plate fitting. Wheel centre made of Polypropylene, plain bearing



BETTER MOBILITY. BETTER LIFE.

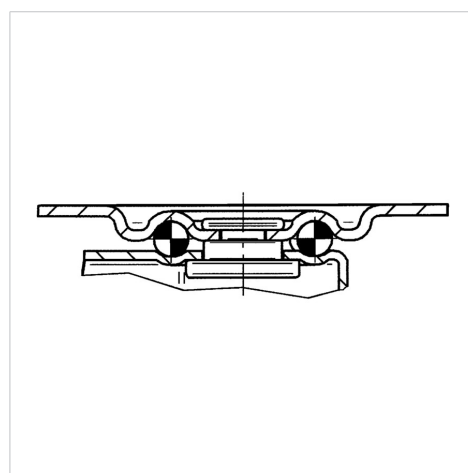


Picture may differ from original product

## Technical Data

Wheel diameter	32 mm
Wheel width	14 mm
Castor width	26 mm
Size of Plate	38 x 32 mm
Plate hole centres	30 x 24 mm
Plate hole	4,2 mm
Dome-Ø	26.5 mm
Offset	11 mm
Swivel Interference	54 mm
Overall height	42.5 mm
Temperature	- 20 / + 60 °C
Standard	EN_12530
Weight	0.046 kg
Swivel Radius	27 mm
Hardness of tread	Shore D 65
Load capacity	20 kg
Load capacity (static)	40 kg

## Structure & Mounting



## Advantages at a glance

Roll performance	● ● ● ○ ○
Movement noise	● ● ● ○ ○
Attrition	● ● ● ● ●
Corrosion resistance	● ● ● ○ ○