

# PURETECH

PVR160x40-Ø20

EAN 4031582321296

Wheel centre made of Polypropylene, Tread: solid rubber, black, roller bearing



BETTER MOBILITY. BETTER LIFE.

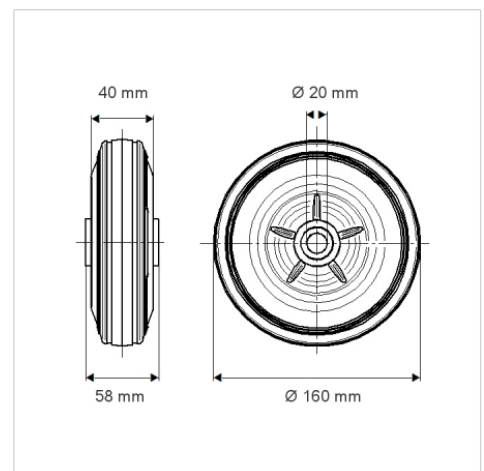


Picture may differ from original product

## Technical Data

Wheel diameter	160 mm
Wheel width	40 mm
Axle Hole-Ø	20 mm
Hub length	58 mm
Temperature	- 20 / + 60 °C
Standard	EN_12532
Weight	0.842 kg
Hardness of tread	Shore A 80
Load capacity	135 kg
Load capacity (static)	270 kg

## Dimensions



## Advantages at a glance

Roll performance	● ● ● ○ ○
Movement noise	● ● ● ○ ○
Attrition	● ● ○ ○ ○
Corrosion resistance	● ● ● ○ ○