

LEVINA

5377PJP125P30-11

EAN 4031582368758

Swivel castor with total lock, tail end of castor, housing and wheels made from high grade synthetic materials, double ball bearing swivel head, bolt hole. Wheel centre made of Polypropylene, Tread: TENTEprene (thermoplastic rubber), grey non-marking, precision ball bearing
Hint: These castors are also with grey locking lever available.



BETTER MOBILITY. BETTER LIFE.



Picture may differ from original product

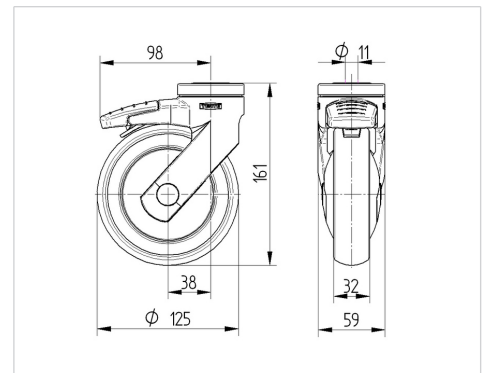
Technical Data

| | |
|------------------------|----------------|
| Wheel diameter | 125 mm |
| Wheel width | 32 mm |
| Castor width | 59 mm |
| Centre hole | 11 mm |
| Dome-Ø | 59 mm |
| Offset | 38 mm |
| Swivel Interference | 201 mm |
| Overall height | 161 mm |
| Temperature | - 10 / + 40 °C |
| Standard | EN_12530 |
| Weight | 0.579 kg |
| Swivel Radius | 100.5 mm |
| Hardness of tread | Shore A 87 |
| Load capacity | 100 kg |
| Load capacity (static) | 200 kg |

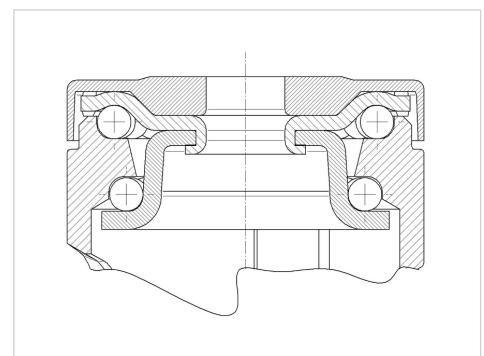
Advantages at a glance

| | |
|----------------------|-----------|
| Roll performance | ● ● ● ○ ○ |
| Movement noise | ● ● ● ● ○ |
| Attrition | ● ● ● ○ ○ |
| Corrosion resistance | ● ● ● ● ○ |

Dimensions



Structure & Mounting



PRODUCT INFORMATION

LEVINA

5377PJP125P30-11

EAN 4031582368758



BETTER MOBILITY. BETTER LIFE.

Structure & Mounting

