

PURETECH

UVH080x35-Ø8

EAN 4031582323627

Wheel centre made of Polyamide, Tread: solid rubber, black, plain bearing, with threadguards,



BETTER MOBILITY. BETTER LIFE.

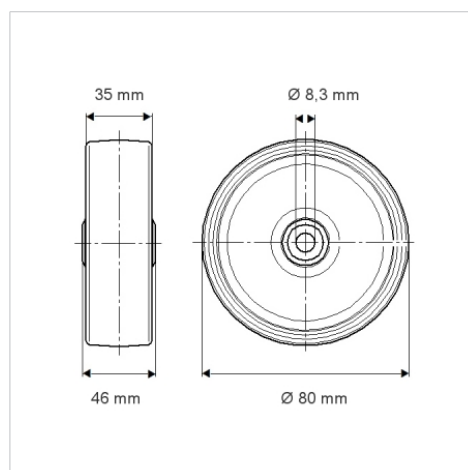


Picture may differ from original product

Technical Data

Wheel diameter	80 mm
Wheel width	35 mm
Axle Hole-Ø	8.3 mm
Hub length	46 mm
Temperature	- 20 / + 80 °C
Standard	EN_12532
Weight	0.218 kg
Hardness of tread	Shore D 39
Load capacity	100 kg
Load capacity (static)	200 kg

Dimensions



Advantages at a glance

Roll performance	● ● ● ○ ○
Movement noise	● ● ● ○ ○
Attrition	● ● ○ ○ ○
Corrosion resistance	● ● ● ○ ○