

# LINEA

5947UAP100P30-11 RAL9002

EAN 4031582368673

Swivel castor with total lock, tail end of castor, housing made of Polyamide, precision ball bearing in swivel head, bolt hole. Wheel centre made of Polyamide, Tread: Polyurethane, precision ball bearing



BETTER MOBILITY. BETTER LIFE.

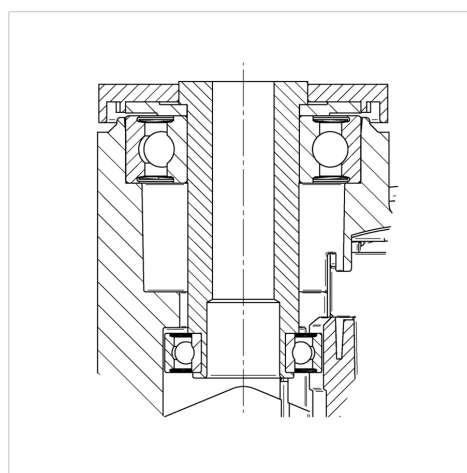


Picture may differ from original product

## Technical Data

Wheel diameter	100 mm
Wheel width	20 mm
Castor width	82 mm
Centre hole	11 mm
Dome-Ø	52 mm
Offset	32 mm
Swivel Interference	216 mm
Overall height	118 mm
Temperature	- 10 / + 40 °C
Standard	EN_12530
Weight	0.706 kg
Swivel Radius	108 mm
Hardness of tread	Shore A 92
Load capacity	120 kg
Load capacity (static)	240 kg

## Structure & Mounting



## Advantages at a glance

Roll performance	● ● ● ● ●
Movement noise	● ● ● ○ ○
Attrition	● ● ● ● ○
Corrosion resistance	● ● ● ● ○