

SCOUT

814WUFC200P60 180°

EAN 4031582428780

Swivel castor, stainless steel housing with wheel brake and automatic directional stability, precision ball bearing in swivel bearing with long-life grease, swivel bearing with dust protection and grease nipple, wheel brake according to ball-pen principle, plate fitting. Swivel castor with automatic directional stability and wheel brake, plate fitting. Wheel centre made of polyamide, tread made of a non-marking elastic tyre, with small thread guard, two INOX precision ball bearings, sealed, washable



BETTER MOBILITY. BETTER LIFE.



Picture may differ from original product

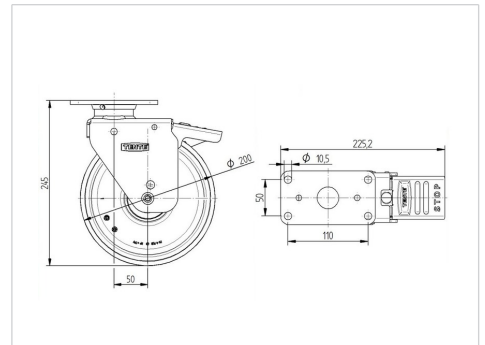
Technical Data

Wheel diameter	200 mm
Wheel width	46 mm
Castor width	74 mm
Size of Plate	130 x 74 mm
Plate hole centres	110 x 50 mm
Plate hole	10,5 mm
Dome-Ø	68 mm
Offset	50 mm
Swivel Interference	325 mm
Overall height	245 mm
Temperature	- 20 / + 80 °C
Standard	similar_EN12532
Weight	3.501 kg
Swivel Radius	162.5 mm
Hardness of tread	Shore A 64
Load capacity	250 kg
Load capacity (static)	500 kg

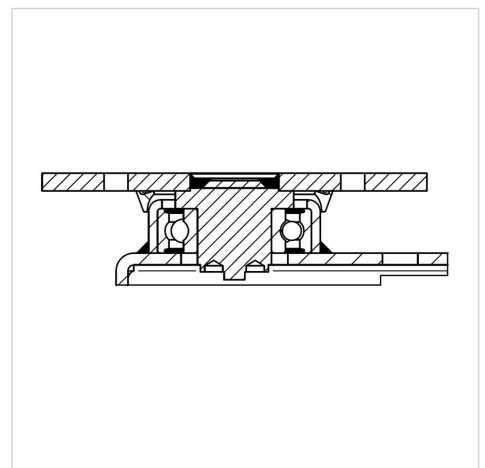
Advantages at a glance

Roll performance	● ● ● ● ○
Movement noise	● ● ● ● ●
Attrition	● ● ● ○ ○
Corrosion resistance	● ● ● ● ●

Dimensions



Structure & Mounting



SCOUT

814WUFC200P60 180°

EAN 4031582428780



BETTER MOBILITY. BETTER LIFE.

Structure & Mounting

