

ALPHA

3470UVH080P62

EAN 4031582304725

Swivel castor, housing made of pressed steel, bright zinc plated, blue passivated, double ball bearing swivel head, wheel axle with nut, dustguard, plate fitting. Wheel centre made of Polyamide, Tread: solid rubber, black, plain bearing, with threadguards,



BETTER MOBILITY. BETTER LIFE.



Picture may differ from original product

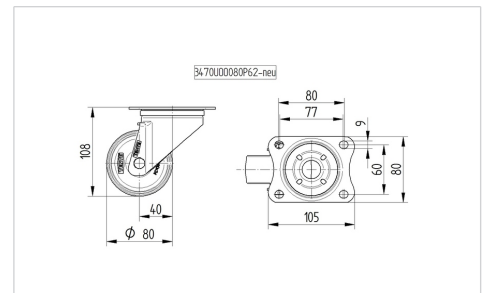
Technical Data

| | |
|------------------------|----------------|
| Wheel diameter | 80 mm |
| Wheel width | 35 mm |
| Castor width | 75 mm |
| Size of Plate | 105 x 80 mm |
| Plate hole centres | 80/77 x 60 mm |
| Plate hole | 9 mm |
| Dome-Ø | 75 mm |
| Offset | 40 mm |
| Swivel Interference | 160 mm |
| Overall height | 108 mm |
| Temperature | - 20 / + 80 °C |
| Standard | EN_12532 |
| Weight | 0.724 kg |
| Swivel Radius | 80 mm |
| Hardness of tread | Shore D 39 |
| Load capacity | 100 kg |
| Load capacity (static) | 200 kg |

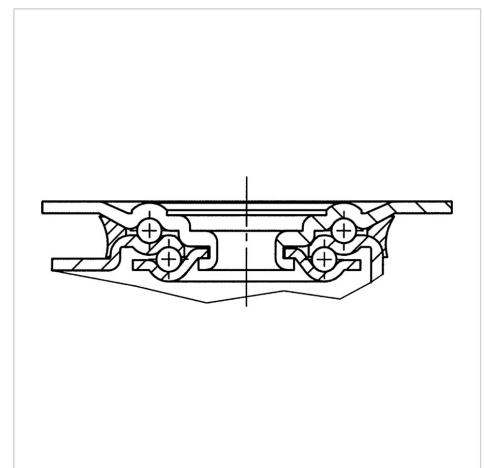
Advantages at a glance

| | |
|----------------------|-----------|
| Roll performance | ● ● ● ○ ○ |
| Movement noise | ● ● ● ○ ○ |
| Attrition | ● ● ○ ○ ○ |
| Corrosion resistance | ● ● ● ○ ○ |

Dimensions



Structure & Mounting



ALPHA

3470UVH080P62

EAN 4031582304725



BETTER MOBILITY. BETTER LIFE.

Structure & Mounting

