

SCOUT

8148UAC200P60 smart

EAN 4031582429879

Fixed castor, stainless steel housing, plate fitting
Fixed castor, Housing made of stainless steel, plate fitting. Wheel centre made of polyamide, tread made of polyurethane, two INOX precision ball bearings, sealed, washable



BETTER MOBILITY. BETTER LIFE.

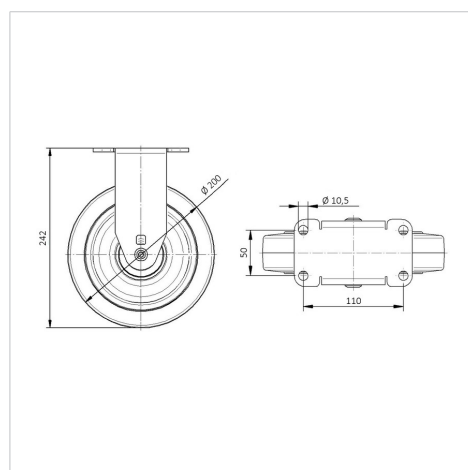


Picture may differ from original product

Technical Data

| | |
|------------------------|-----------------|
| Wheel diameter | 200 mm |
| Wheel width | 40 mm |
| Castor width | 74 mm |
| Size of Plate | 130 x 74 mm |
| Plate hole centres | 110 x 50 mm |
| Plate hole | 10,5 mm |
| Dome-Ø | 68 mm |
| Offset | 54 mm |
| Overall height | 242 mm |
| Temperature | - 40 / + 80 °C |
| Standard | similar_EN12532 |
| Weight | 1.98 kg |
| Hardness of tread | Shore A 92 |
| Load capacity | 150 kg |
| Load capacity (static) | 300 kg |

Dimensions



Advantages at a glance

| | |
|----------------------|-----------|
| Roll performance | ● ● ● ● ● |
| Movement noise | ● ● ● ○ ○ |
| Attrition | ● ● ● ● ● |
| Corrosion resistance | ● ● ● ● ● |

SCOUT

8148UAC200P60 smart

EAN 4031582429879



BETTER MOBILITY. BETTER LIFE.

Structure & Mounting

