

INTEGRAL

2044UAP150R26-28S45 4xM8

EAN 4031582300185

Swivel castor with central, total lock and central directional lock, frame made of pressed steel, precision ball bearing in swivel head and wheel, housing cover made of synthetic plastics, stem with cam hole for profile bars. Wheel centre made of Polyamide, Tread: Polyurethane, precision ball bearing

Hint: TÜV Süd certified product.



BETTER MOBILITY. BETTER LIFE.

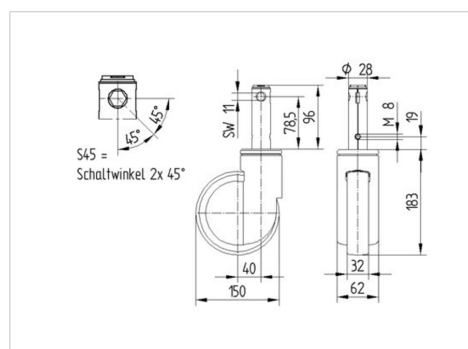


Picture may differ from original product

Technical Data

Wheel diameter	150 mm
Wheel width	32 mm
Castor width	62 mm
Bolt-Ø	28 mm
Bolt length	96 mm
Dome-Ø	62 mm
Offset	40 mm
Swivel Interference	230 mm
Overall height	183 mm
Temperature	- 25 / - 25 °C
Standard	EN_12531
Weight	0.99 kg
Swivel Radius	115 mm
Hardness of tread	Shore D 42
Load capacity	150 kg
Load capacity (static)	450 kg

Dimensions



Advantages at a glance

Roll performance	● ● ● ○ ○
Movement noise	● ● ● ○ ○
Attrition	● ● ● ● ○
Corrosion resistance	● ● ● ○ ○

INTEGRAL

2044UAP150R26-28S45 4xM8

EAN 4031582300185



BETTER MOBILITY. BETTER LIFE.

Structure & Mounting

A white rectangular box containing three award logos. At the top left is the 'if' logo (a red square with white 'i' and 'f' characters) followed by the text 'product design award winner' in red. Below it is the 'reddot' logo (a red and white striped sphere) followed by the text 'reddot design award winner' in black. At the bottom is the 'TÜV SÜD' logo (a blue octagon with 'TÜV SÜD' in white) with the text 'Production monitored Type tested' in small black letters below it.