

# ALPHA

3477UVH080P62

EAN 4031582306217

Swivel castor with total lock, tail end of castor, housing made of pressed steel, bright zinc plated, blue passivated, double ball bearing swivel head, wheel axle with nut, dustguard, plate fitting. Wheel centre made of Polyamide, Tread: solid rubber, black, plain bearing, with threadguards,



BETTER MOBILITY. BETTER LIFE.

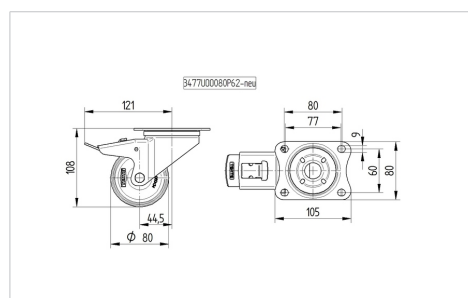


Picture may differ from original product

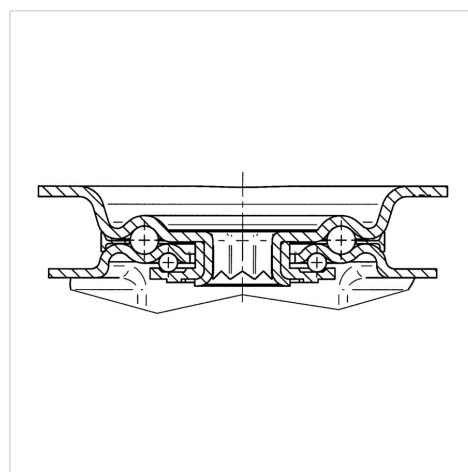
## Technical Data

Wheel diameter	80 mm
Wheel width	35 mm
Castor width	75 mm
Size of Plate	105 x 80 mm
Plate hole centres	80/77 x 60 mm
Plate hole	9 mm
Dome-Ø	75 mm
Offset	44.5 mm
Swivel Interference	242 mm
Overall height	108 mm
Temperature	- 20 / + 80 °C
Standard	EN_12532
Weight	0.905 kg
Swivel Radius	121 mm
Hardness of tread	Shore D 39
Load capacity	100 kg
Load capacity (static)	200 kg

## Dimensions



## Structure & Mounting



## Advantages at a glance

Roll performance	● ● ● ○ ○
Movement noise	● ● ● ○ ○
Attrition	● ● ○ ○ ○
Corrosion resistance	● ● ● ○ ○

# ALPHA

3477UVH080P62

EAN 4031582306217



BETTER MOBILITY. BETTER LIFE.

## Structure & Mounting

---

