

# INTEGRAL

2070PJP125R05-28

EAN 4031582363241

Swivel castor, housing made of pressed steel, bright zinc plated, blue passivated, double ball bearing swivel head, wheel axle riveted for attaching the cover, covering of the housing made of Polypropylene, RAL 9002 grey-white, solid plug fitting. Wheel centre made of Polypropylene, Tread: TENTEprene (thermoplastic rubber), grey non-marking, precision ball bearing



BETTER MOBILITY. BETTER LIFE.

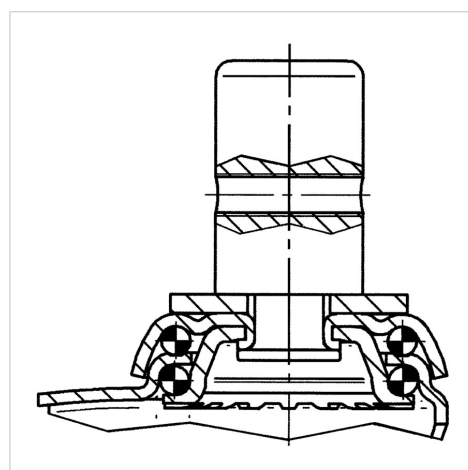


Picture may differ from original product

## Technical Data

Wheel diameter	125 mm
Wheel width	32 mm
Bolt-Ø	28 mm
Bolt length	45 mm
Offset	41 mm
Swivel Interference	207 mm
Overall height	163 mm
Temperature	- 20 / + 60 °C
Standard	EN_12530
Swivel Radius	103.5 mm
Hardness of tread	Shore A 87
Load capacity	100 kg
Load capacity (static)	200 kg

## Structure & Mounting



## Advantages at a glance

Roll performance	● ● ● ○ ○
Movement noise	● ● ● ○ ○
Attrition	● ● ● ○ ○
Corrosion resistance	● ● ● ○ ○