

INTEGRAL TWIN

2940USX125R05-28

EAN 4031582341379

Swivel castor, frame made of pressed steel, precision ball bearing in swivel head, housing with synthetic cover, solid plug fitting. Wheel centre made of Polyamide, electric conductive, tread made of injected Polyurethane, with threadguards, precision ball bearing, sealed
 Hint: TÜV Süd certified product. Washable beds must be sealed in the fitting area by the hospital bed manufacturer.



BETTER MOBILITY. BETTER LIFE.



Picture may differ from original product

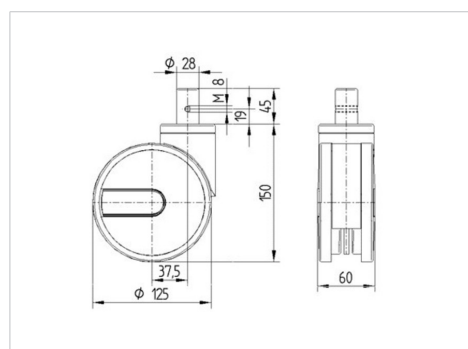
Technical Data

Wheel diameter	125 mm
Wheel width	12 mm
Castor width	60 mm
Bolt-Ø	28 mm
Bolt length	45 mm
Offset	37.5 mm
Swivel Interference	200 mm
Overall height	150 mm
Temperature	- 30 / + 80 °C
Standard	similar_EN12531
Weight	1.24 kg
Swivel Radius	100 mm
Hardness of tread	Shore D 40
Load capacity	125 kg
Load capacity (static)	375 kg

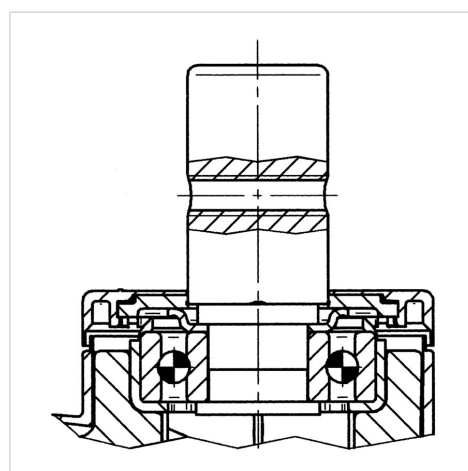
Advantages at a glance

Roll performance	● ● ● ● ●
Movement noise	● ● ● ○ ○
Attrition	● ● ● ● ○
Corrosion resistance	● ● ● ○ ○

Dimensions



Structure & Mounting



INTEGRAL TWIN

2940USX125R05-28

EAN 4031582341379



BETTER MOBILITY. BETTER LIFE.

Structure & Mounting

