

PURETECH

DIK150x32-Ø8

EAN 4031582070170

Wheel centre made of pressed steel, Tread: solid rubber, grey non-marking, with threadguards, cone ball bearing



BETTER MOBILITY. BETTER LIFE.

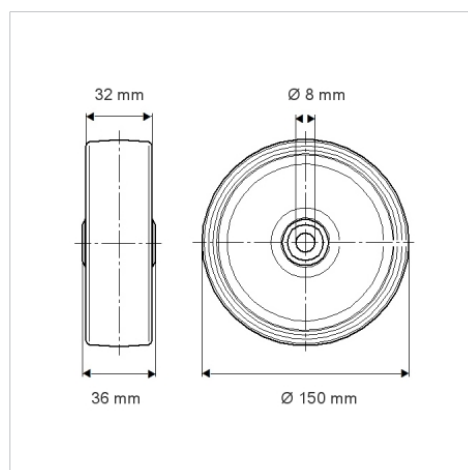


Picture may differ from original product

Technical Data

| | |
|------------------------|----------------|
| Wheel diameter | 150 mm |
| Wheel width | 32 mm |
| Axle Hole-Ø | 8 mm |
| Hub length | 36 mm |
| Temperature | - 20 / + 85 °C |
| Standard | EN_12530 |
| Weight | 0.896 kg |
| Hardness of tread | Shore A 80 |
| Load capacity | 100 kg |
| Load capacity (static) | 200 kg |

Dimensions



Advantages at a glance

| | |
|----------------------|-----------|
| Roll performance | ● ● ● ○ ○ |
| Movement noise | ● ● ● ○ ○ |
| Attrition | ● ● ● ○ ○ |
| Corrosion resistance | ● ● ● ○ ○ |