

KAPPA

9680ITP125P63 Flat

EAN 4031582315189

Swivel castor, housing and plate steel-welded, bright zinc plated, blue passivated, sealed single swivel double ball bearing, threaded king pin and locking nut secured, grease nipple, wheel axle with nut, plate fitting. Wheel centre made of Aluminium, Tread: Polyurethane, casted, precision ball bearing



BETTER MOBILITY. BETTER LIFE.



Picture may differ from original product

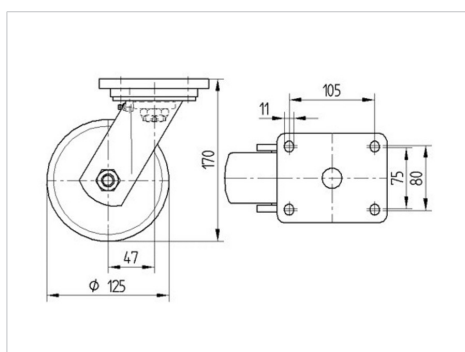
Technical Data

| | |
|------------------------|----------------|
| Wheel diameter | 125 mm |
| Wheel width | 50 mm |
| Castor width | 110 mm |
| Size of Plate | 135 x 110 mm |
| Plate hole centres | 105 x 80/75 mm |
| Plate hole | 11 mm |
| Dome-Ø | 111 mm |
| Offset | 48 mm |
| Swivel Interference | 225 mm |
| Overall height | 170 mm |
| Temperature | - 10 / + 60 °C |
| Standard | EN_12532 |
| Weight | 3.834 kg |
| Swivel Radius | 112.5 mm |
| Hardness of tread | Shore A 92 |
| Load capacity | 500 kg |
| Load capacity (static) | 1000 kg |

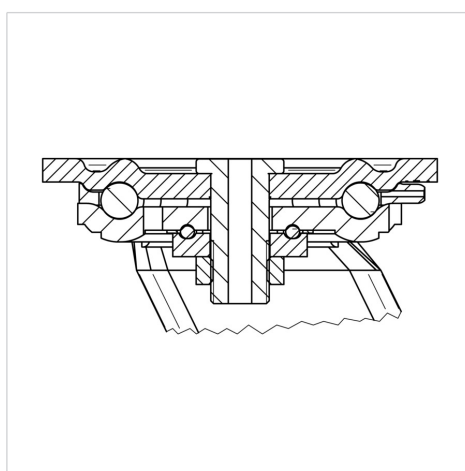
Advantages at a glance

| | |
|----------------------|-----------|
| Roll performance | ● ● ● ○ ○ |
| Movement noise | ● ● ● ○ ○ |
| Attrition | ● ● ● ● ○ |
| Corrosion resistance | ● ● ● ○ ○ |

Dimensions



Structure & Mounting



KAPPA

9680ITP125P63 Flat

EAN 4031582315189



BETTER MOBILITY. BETTER LIFE.

Structure & Mounting

