

LINEA

5940UAP125P30-11 RAL9002

EAN 4031582347265

Swivel castor, housing made of Polyamide, precision ball bearing in swivel head, bolt hole. Wheel centre made of Polyamide, Tread: Polyurethane, precision ball bearing



BETTER MOBILITY. BETTER LIFE.

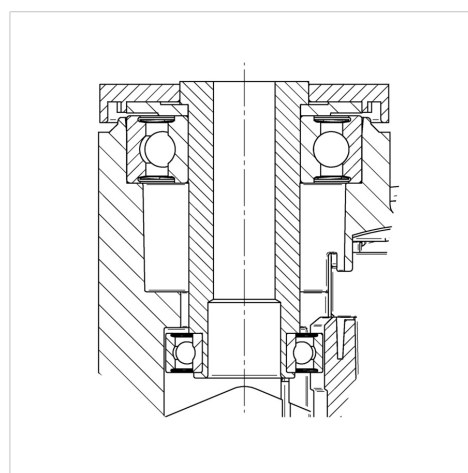


Picture may differ from original product

Technical Data

| | |
|------------------------|----------------|
| Wheel diameter | 125 mm |
| Wheel width | 20 mm |
| Castor width | 82 mm |
| Centre hole | 11 mm |
| Dome-Ø | 52 mm |
| Offset | 40 mm |
| Swivel Interference | 218 mm |
| Overall height | 143 mm |
| Temperature | - 20 / + 60 °C |
| Standard | EN_12530 |
| Weight | 0.784 kg |
| Swivel Radius | 109 mm |
| Hardness of tread | Shore A 92 |
| Load capacity | 130 kg |
| Load capacity (static) | 260 kg |

Structure & Mounting



Advantages at a glance

| | |
|----------------------|-----------|
| Roll performance | ● ● ● ● ● |
| Movement noise | ● ● ● ○ ○ |
| Attrition | ● ● ● ● ○ |
| Corrosion resistance | ● ● ● ● ○ |