

OMIKRON TWIN

9958STP500P68

EAN 4031582317039

Fixed castor, Fork and plate steel welded, zinc plated, blue passivated, wheel axle with nut, plate fitting.

Wheel centre made of pressed steel, lacquered, heavy duty, Tread: Polyurethane, casted, precision ball bearing



BETTER MOBILITY. BETTER LIFE.

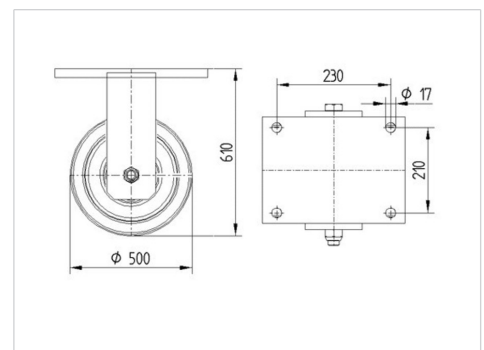


Picture may differ from original product

Technical Data

Wheel diameter	500 mm
Wheel width	80 mm
Castor width	285 mm
Size of Plate	270 x 250 mm
Plate hole centres	230 x 210 mm
Plate hole	17 mm
Dome-Ø	235 mm
Overall height	610 mm
Temperature	- 10 / + 60 °C
Standard	EN_12533
Weight	103.432 kg
Hardness of tread	Shore A 92
Load capacity	7200 kg
Load capacity (static)	14400 kg

Dimensions



Advantages at a glance

Roll performance	● ● ● ○ ○
Movement noise	● ● ● ○ ○
Attrition	● ● ● ● ○
Corrosion resistance	● ● ● ○ ○

OMIKRON TWIN

9958STP500P68

EAN 4031582317039



BETTER MOBILITY. BETTER LIFE.

Structure & Mounting

