

ZETA

4688ITP125P63 Flat

EAN 4031582030501

Fixed castor, Fork made of heavy pressed steel, reinforced, bright zinc plated, blue passivated, wheel axle with nut, plate fitting.
Wheel centre made of Aluminium, Tread: Polyurethane, casted, precision ball bearing



BETTER MOBILITY. BETTER LIFE.

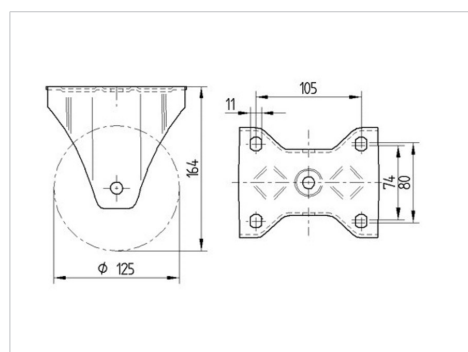


Picture may differ from original product

Technical Data

| | |
|------------------------|----------------|
| Wheel diameter | 125 mm |
| Wheel width | 50 mm |
| Castor width | 117 mm |
| Size of Plate | 137 x 117 mm |
| Plate hole centres | 105 x 80/75 mm |
| Plate hole | 11 mm |
| Overall height | 164 mm |
| Temperature | - 10 / + 60 °C |
| Standard | EN_12532 |
| Weight | 1.751 kg |
| Hardness of tread | Shore A 92 |
| Load capacity | 500 kg |
| Load capacity (static) | 1000 kg |

Dimensions



Advantages at a glance

| | |
|----------------------|-----------|
| Roll performance | ● ● ● ○ ○ |
| Movement noise | ● ● ● ○ ○ |
| Attrition | ● ● ● ● ○ |
| Corrosion resistance | ● ● ● ○ ○ |

ZETA

4688ITP125P63 Flat

EAN 4031582030501



BETTER MOBILITY. BETTER LIFE.

Structure & Mounting

