

ANIKA

5920UAI055L51-10

EAN 4031582406351

Swivel castor, housing made of Polyamide, with blind hole fitting. Wheel centre made of Polyamide, Tread: Polyurethane, plain bearing



BETTER MOBILITY. BETTER LIFE.



Picture may differ from original product

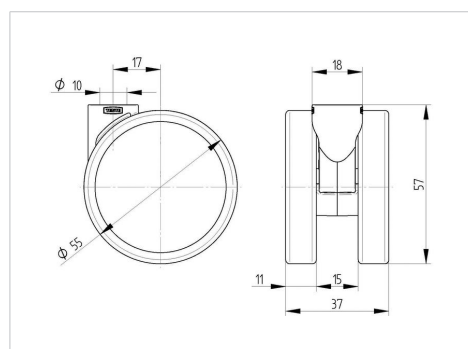
Technical Data

Wheel diameter	55 mm
Wheel width	11 mm
Castor width	37 mm
Centre hole	10 mm
Dome-Ø	18 mm
Swivel Interference	94 mm
Overall height	57 mm
Temperature	- 10 / + 40 °C
Standard	EN_12528
Weight	0.065 kg
Swivel Radius	47 mm
Hardness of tread	Shore A 92
Load capacity	40 kg
Load capacity (static)	80 kg

Advantages at a glance

Roll performance	● ● ● ○ ○
Movement noise	● ● ● ○ ○
Attrition	● ● ● ○ ○
Corrosion resistance	● ● ● ● ○

Dimensions



Structure & Mounting

