

SUPRATECH

PJO200x50-Ø20 HL58

EAN 4031582442489

Wheel centre made of Polypropylene, Tread: TENTEprene (thermoplastic rubber), grey non-marking, plain bearing



BETTER MOBILITY. BETTER LIFE.

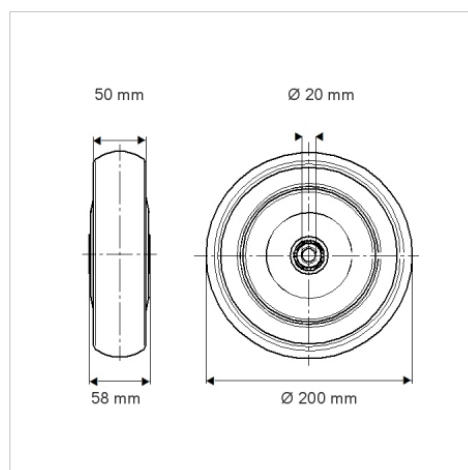


Picture may differ from original product

Technical Data

Wheel diameter	200 mm
Wheel width	50 mm
Axle Hole-Ø	20 mm
Hub length	58 mm
Temperature	- 20 / + 60 °C
Standard	EN_12530
Weight	0.765 kg
Hardness of tread	Shore A 87
Load capacity	200 kg
Load capacity (static)	400 kg

Dimensions



Advantages at a glance

Roll performance	● ● ● ○ ○
Movement noise	● ● ● ○ ○
Attrition	● ● ● ○ ○
Corrosion resistance	● ● ● ○ ○