

# ELASTECH

UEP160x46-Ø20

EAN 4031582323245

Wheel centre made of Polyamide, Tread: elastic-tyre, black, precision ball bearing



BETTER MOBILITY. BETTER LIFE.

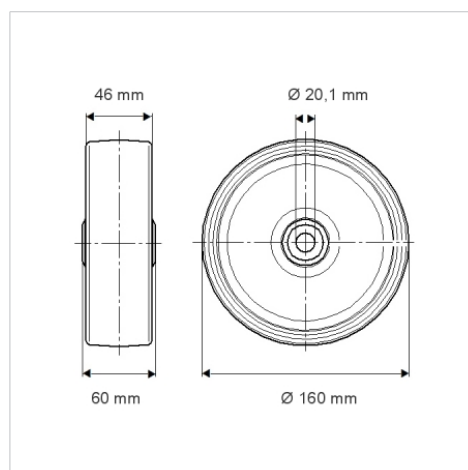


Picture may differ from original product

## Technical Data

Wheel diameter	160 mm
Wheel width	46 mm
Axle Hole-Ø	20.1 mm
Hub length	60 mm
Temperature	- 20 / + 80 °C
Standard	EN_12532
Weight	0.914 kg
Hardness of tread	Shore A 63
Load capacity	300 kg
Load capacity (static)	600 kg

## Dimensions



## Advantages at a glance

Roll performance	● ● ● ○ ○
Movement noise	● ● ● ● ●
Attrition	● ● ● ○ ○
Corrosion resistance	● ● ● ○ ○