

# ALPHA

3477PVO100P62

EAN 4031582305609

Swivel castor with total lock, tail end of castor, housing made of pressed steel, bright zinc plated, blue passivated, double ball bearing swivel head, wheel axle with nut, dustguard, plate fitting. Wheel centre made of Polypropylene, Tread: solid rubber, black, plain bearing



BETTER MOBILITY. BETTER LIFE.

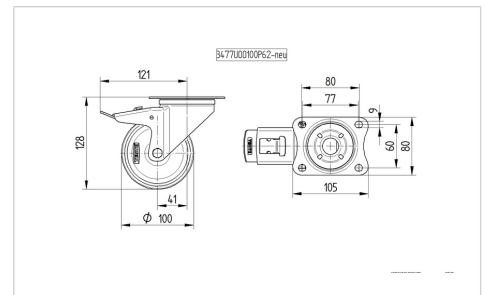


Picture may differ from original product

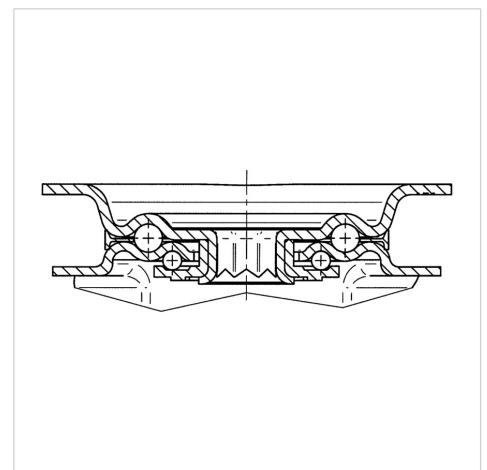
## Technical Data

|                        |                |
|------------------------|----------------|
| Wheel diameter         | 100 mm         |
| Wheel width            | 35 mm          |
| Castor width           | 75 mm          |
| Size of Plate          | 105 x 80 mm    |
| Plate hole centres     | 80/77 x 60 mm  |
| Plate hole             | 9 mm           |
| Dome-Ø                 | 75 mm          |
| Offset                 | 41 mm          |
| Swivel Interference    | 246 mm         |
| Overall height         | 128 mm         |
| Temperature            | - 20 / + 60 °C |
| Standard               | EN_12532       |
| Weight                 | 0.92 kg        |
| Swivel Radius          | 123 mm         |
| Hardness of tread      | Shore A 80     |
| Load capacity          | 75 kg          |
| Load capacity (static) | 150 kg         |

## Dimensions



## Structure & Mounting



## Advantages at a glance

|                      |           |
|----------------------|-----------|
| Roll performance     | ● ● ○ ○ ○ |
| Movement noise       | ● ● ● ○ ○ |
| Attrition            | ● ● ○ ○ ○ |
| Corrosion resistance | ● ● ● ○ ○ |

# ALPHA

3477PVO100P62

EAN 4031582305609



BETTER MOBILITY. BETTER LIFE.

## Structure & Mounting

---

