

# INTEGRAL

2044UAP150R26-28S45 4xM8

EAN 4031582300185

Swivel castor with central, total lock and central directional lock, frame made of pressed steel, precision ball bearing in swivel head and wheel, housing cover made of synthetic plastics, stem with cam hole for profile bars. Wheel centre made of Polyamide, Tread: Polyurethane, precision ball bearing  
Hint: TÜV Süd certified product.



BETTER MOBILITY. BETTER LIFE.

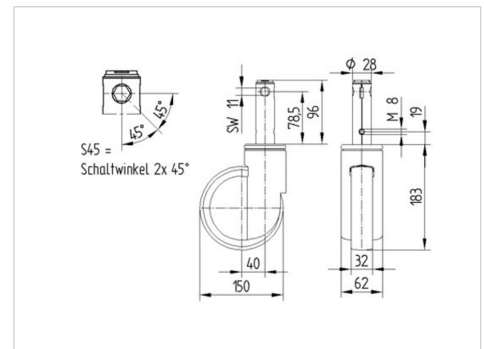


Picture may differ from original product

## Technical Data

Wheel diameter	150 mm
Wheel width	32 mm
Castor width	62 mm
Bolt-Ø	28 mm
Bolt length	96 mm
Dome-Ø	62 mm
Offset	40 mm
Swivel Interference	230 mm
Overall height	183 mm
Temperature	- 25 / - 25 °C
Standard	EN_12531
Weight	0.99 kg
Swivel Radius	115 mm
Hardness of tread	Shore D 42
Load capacity	150 kg
Load capacity (static)	450 kg

## Dimensions



## Advantages at a glance

Roll performance	● ● ● ○ ○
Movement noise	● ● ● ○ ○
Attrition	● ● ● ● ○
Corrosion resistance	● ● ● ○ ○

# INTEGRAL

2044UAP150R26-28S45 4xM8

EAN 4031582300185



BETTER MOBILITY. BETTER LIFE.

## Structure & Mounting

---

A collection of three award logos. At the top left is the iF logo, a red square with white stylized letters 'i' and 'f'. To its right is the text "product design award winner" in red. Below that is the reddot logo, a red sphere with white horizontal stripes, followed by the text "reddot design award winner" in black. At the bottom is the TÜV SÜD logo, a blue octagon with a white circle containing a 'S' at the top, and the text "TÜV SÜD" in white, with "Production monitored Type tested" in small text at the bottom.