

# LUMINA

6A20YGI050L51-10

EAN 4031582335804

Swivel castor, housing made of Polypropylene, with zinc-die-cast cover, with blind hole fitting. Wheel centre made of Polypropylene, Tread: TENTEprene (thermoplastic rubber), plain bearing, electric conductive



BETTER MOBILITY. BETTER LIFE.

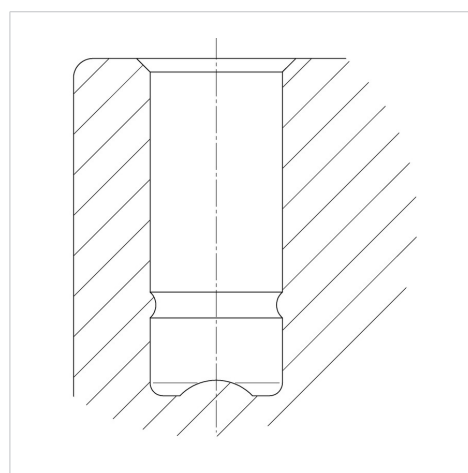


Picture may differ from original product

## Technical Data

|                        |                |
|------------------------|----------------|
| Wheel diameter         | 50 mm          |
| Wheel width            | 10 mm          |
| Castor width           | 55 mm          |
| Centre hole            | 10 mm          |
| Offset                 | 20 mm          |
| Swivel Interference    | 108 mm         |
| Overall height         | 56 mm          |
| Temperature            | - 20 / + 60 °C |
| Standard               | EN_12528       |
| Weight                 | 0.115 kg       |
| Swivel Radius          | 54 mm          |
| Hardness of tread      | Shore A 87     |
| Load capacity          | 40 kg          |
| Load capacity (static) | 80 kg          |

## Structure & Mounting



## Advantages at a glance

|                      |           |
|----------------------|-----------|
| Roll performance     | ● ● ● ○ ○ |
| Movement noise       | ● ● ● ○ ○ |
| Attrition            | ● ● ● ○ ○ |
| Corrosion resistance | ● ● ● ○ ○ |