

# STYLEA

5920XOI065L51-11 DOM23x43,6

EAN 4031582343007

Swivel castor, housing made of Polyamide, with blind hole fitting. Wheel centre made of Polyamide, plain bearing, electric conductive



BETTER MOBILITY. BETTER LIFE.

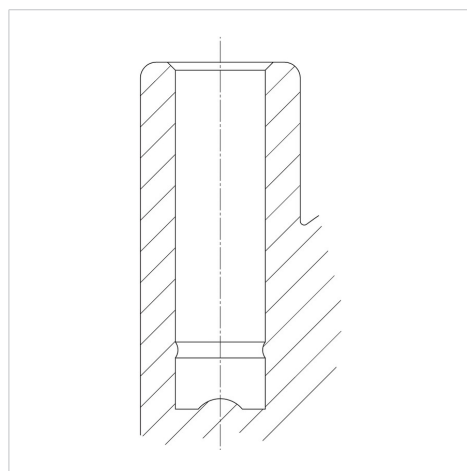


Picture may differ from original product

## Technical Data

Wheel diameter	65 mm
Wheel width	7 mm
Castor width	46 mm
Centre hole	11 mm
Dome-Ø	23 mm
Swivel Interference	106 mm
Overall height	91.5 mm
Temperature	- 10 / + 40 °C
Standard	EN_12528
Swivel Radius	53 mm
Load capacity	50 kg
Load capacity (static)	100 kg

## Structure & Mounting



## Advantages at a glance

Roll performance	● ● ● ○ ○
Movement noise	● ● ● ○ ○
Attrition	● ● ● ● ●
Corrosion resistance	● ● ● ● ○