

# INTEGRAL

2070PIP150R05-32

EAN 4031582360851

Swivel castor, housing made of pressed steel, bright zinc plated, blue passivated, double ball bearing swivel head, wheel axle riveted for attaching the cover, covering of the housing made of Polypropylene, RAL 9002 grey-white, solid plug fitting. Wheel centre made of Polypropylene, Tread: solid rubber, grey non-marking, precision ball bearing



BETTER MOBILITY. BETTER LIFE.

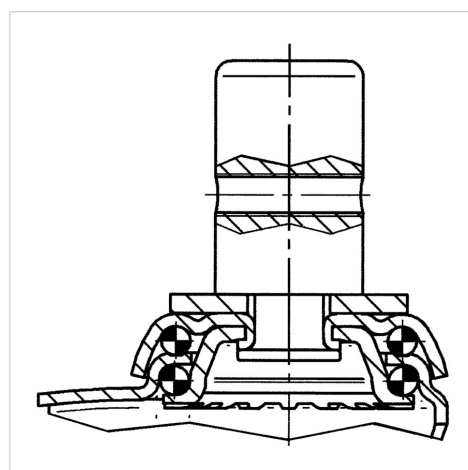


Picture may differ from original product

## Technical Data

|                        |                |
|------------------------|----------------|
| Wheel diameter         | 150 mm         |
| Wheel width            | 32 mm          |
| Bolt-Ø                 | 32 mm          |
| Bolt length            | 45 mm          |
| Offset                 | 45 mm          |
| Swivel Interference    | 240 mm         |
| Overall height         | 188 mm         |
| Temperature            | - 20 / + 60 °C |
| Standard               | EN_12530       |
| Swivel Radius          | 120 mm         |
| Hardness of tread      | Shore A 75     |
| Load capacity          | 80 kg          |
| Load capacity (static) | 160 kg         |

## Structure & Mounting



## Advantages at a glance

|                      |           |
|----------------------|-----------|
| Roll performance     | ● ● ● ○ ○ |
| Movement noise       | ● ● ● ○ ○ |
| Attrition            | ● ● ● ○ ○ |
| Corrosion resistance | ● ● ● ○ ○ |