

# DELTA TWIN

9942UOO200P63

EAN 4031582366860

Swivel castor with total lock, head end of castor, housing made of heavy pressed steel, bright zinc plated, blue passivated, precision ball bearing swivel head, sealed, wheel axle with nut, plate fitting. Wheel centre made of Polyamide, plain bearing



BETTER MOBILITY. BETTER LIFE.

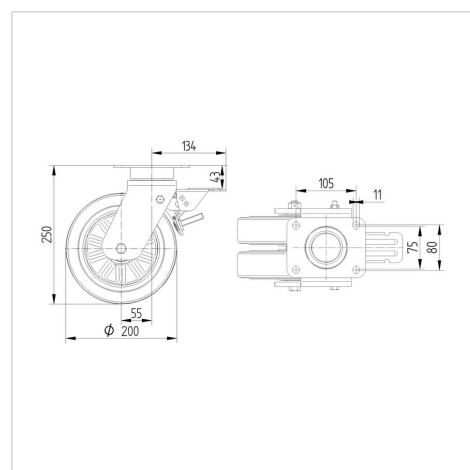


Picture may differ from original product

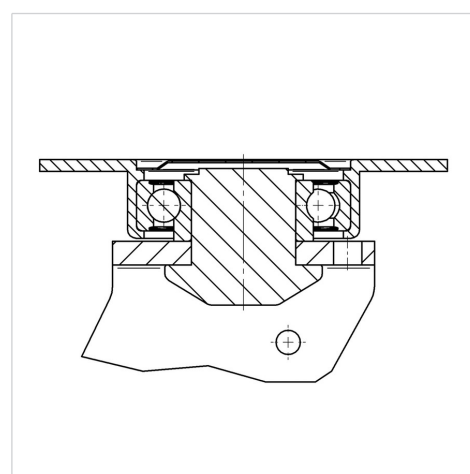
## Technical Data

|                        |                |
|------------------------|----------------|
| Wheel diameter         | 200 mm         |
| Wheel width            | 50 mm          |
| Size of Plate          | 137 x 105 mm   |
| Plate hole centres     | 105 x 80/75 mm |
| Plate hole             | 11 mm          |
| Offset                 | 55 mm          |
| Swivel Interference    | 310 mm         |
| Overall height         | 250 mm         |
| Temperature            | - 20 / + 60 °C |
| Standard               | EN_12532       |
| Weight                 | 5.678 kg       |
| Hardness of tread      | Shore A 92     |
| Load capacity          | 750 kg         |
| Load capacity (static) | 1500 kg        |

## Dimensions



## Structure & Mounting



## Advantages at a glance

|                      |           |
|----------------------|-----------|
| Roll performance     | ● ● ● ○ ○ |
| Movement noise       | ● ● ● ○ ○ |
| Attrition            | ● ● ● ● ○ |
| Corrosion resistance | ● ● ● ○ ○ |

# DELTA TWIN

9942UOO200P63

EAN 4031582366860



BETTER MOBILITY. BETTER LIFE.

## Structure & Mounting

