

# ELASTECH

IEP200x50-Ø20

EAN 4031582319736

Wheel centre made of Aluminium, Tread: black elastic-tyre, vulcanized, precision ball bearing



BETTER MOBILITY. BETTER LIFE.

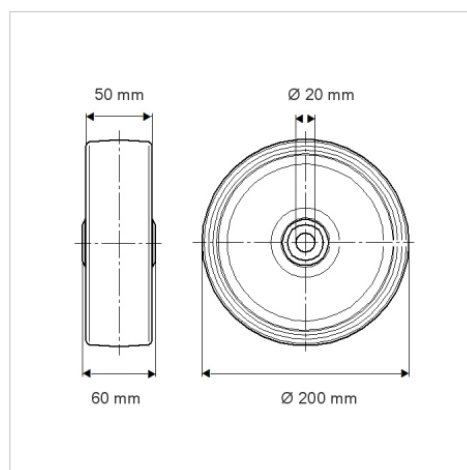


Picture may differ from original product

## Technical Data

|                        |                |
|------------------------|----------------|
| Wheel diameter         | 200 mm         |
| Wheel width            | 50 mm          |
| Axle Hole-Ø            | 20 mm          |
| Hub length             | 60 mm          |
| Temperature            | - 20 / + 85 °C |
| Standard               | EN_12532       |
| Weight                 | 1.75 kg        |
| Hardness of tread      | Shore A 68     |
| Load capacity          | 450 kg         |
| Load capacity (static) | 900 kg         |

## Dimensions



## Advantages at a glance

|                      |           |
|----------------------|-----------|
| Roll performance     | ● ● ● ○ ○ |
| Movement noise       | ● ● ● ○ ○ |
| Attrition            | ● ● ● ○ ○ |
| Corrosion resistance | ● ● ● ○ ○ |

## Structure & Mounting

