

STYLEA

5920UOI075L51-10 DOM20

EAN 4031582310962

Swivel castor, housing made of Polyamide, with blind hole fitting. Wheel centre made of Polyamide, plain bearing



BETTER MOBILITY. BETTER LIFE.

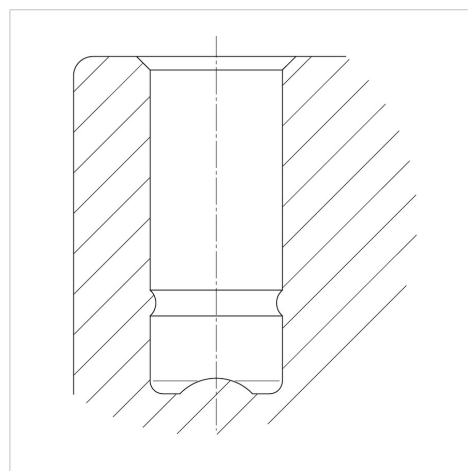


Picture may differ from original product

Technical Data

| | |
|------------------------|----------------|
| Wheel diameter | 75 mm |
| Wheel width | 8 mm |
| Castor width | 54 mm |
| Centre hole | 10 mm |
| Dome-Ø | 20 mm |
| Offset | 30 mm |
| Swivel Interference | 124 mm |
| Overall height | 77 mm |
| Temperature | - 20 / + 60 °C |
| Standard | EN_12528 |
| Weight | 0.119 kg |
| Swivel Radius | 62 mm |
| Hardness of tread | Shore D 65 |
| Load capacity | 50 kg |
| Load capacity (static) | 100 kg |

Structure & Mounting



Advantages at a glance

| | |
|----------------------|-----------|
| Roll performance | ● ● ● ○ ○ |
| Movement noise | ● ● ● ○ ○ |
| Attrition | ● ● ● ● ● |
| Corrosion resistance | ● ● ● ● ○ |