

MONO

5025PJH080B11-10x33 RAL9011

EAN 4031582308433

Swivel castor with wheel brake, housing made of Polyamide, stem with circlip. Wheel centre made of Polypropylene, Tread: TENTEprene (thermoplastic rubber), grey non-marking, with threadguards, plain bearing



BETTER MOBILITY. BETTER LIFE.

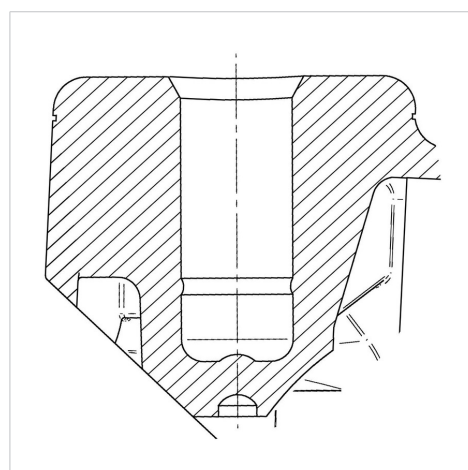


Picture may differ from original product

Technical Data

| | |
|------------------------|----------------|
| Wheel diameter | 80 mm |
| Wheel width | 24 mm |
| Centre hole | 10 mm |
| Offset | 34 mm |
| Swivel Interference | 210 mm |
| Overall height | 104 mm |
| Temperature | - 20 / + 60 °C |
| Standard | EN_12528 |
| Weight | 0.16 kg |
| Swivel Radius | 105 mm |
| Hardness of tread | Shore A 90 |
| Load capacity | 70 kg |
| Load capacity (static) | 140 kg |

Structure & Mounting



Advantages at a glance

| | |
|----------------------|-----------|
| Roll performance | ● ● ● ○ ○ |
| Movement noise | ● ● ● ○ ○ |
| Attrition | ● ● ● ○ ○ |
| Corrosion resistance | ● ● ● ● ○ |