

MAXTECH

XSC100x32-Ø8

EAN 4031582323658

Wheel centre made of Polyamide, electric conductive, tread made of Polyurethane, with threadguards, precision ball bearing, stainless



BETTER MOBILITY. BETTER LIFE.

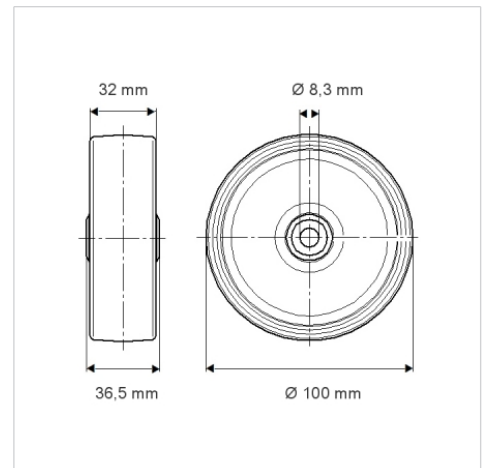


Picture may differ from original product

Technical Data

| | |
|------------------------|----------------|
| Wheel diameter | 100 mm |
| Wheel width | 32 mm |
| Axle Hole-Ø | 8.3 mm |
| Hub length | 36.5 mm |
| Temperature | - 25 / + 80 °C |
| Standard | EN_12530 |
| Weight | 0.237 kg |
| Hardness of tread | Shore D 40 |
| Load capacity | 150 kg |
| Load capacity (static) | 300 kg |

Dimensions



Advantages at a glance

| | |
|----------------------|-----------|
| Roll performance | ● ● ● ○ ○ |
| Movement noise | ● ● ● ○ ○ |
| Attrition | ● ● ● ○ ○ |
| Corrosion resistance | ● ● ● ○ ○ |