

# LUMINA

## A520PJI050B10-11x20 DOM38

EAN 4031582317145

Swivel castor, housing made of Polypropylene, stem with circlip. Wheel centre made of Polypropylene, Tread: TENTEprene (thermoplastic rubber), grey non-marking, plain bearing



BETTER MOBILITY. BETTER LIFE.

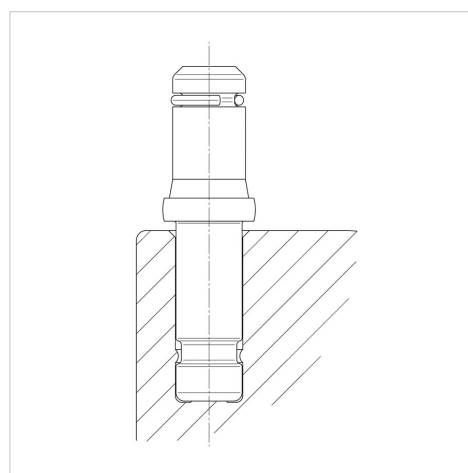


Picture may differ from original product

### Technical Data

Wheel diameter	50 mm
Wheel width	8 mm
Castor width	54 mm
Metal stem with circlip	11 x 20 mm
Dome-Ø	38 mm
Offset	20 mm
Swivel Interference	104 mm
Overall height	61 mm
Temperature	- 20 / + 60 °C
Standard	EN12529
Weight	0.104 kg
Swivel Radius	52 mm
Hardness of tread	Shore A 87
Load capacity	40 kg
Load capacity (static)	80 kg

### Structure & Mounting



### Advantages at a glance

Roll performance	● ● ● ○ ○
Movement noise	● ● ● ○ ○
Attrition	● ● ● ○ ○
Corrosion resistance	● ● ● ○ ○