

# INTEGRAL TWIN

2940UAP150R05-32

EAN 4031582302516

Swivel castor, frame made of pressed steel, precision ball bearing in swivel head, housing with synthetic cover, solid plug fitting. Wheel centre made of Polyamide, Tread: Polyurethane, precision ball bearing  
Hint: TÜV Süd certified product.



BETTER MOBILITY. BETTER LIFE.

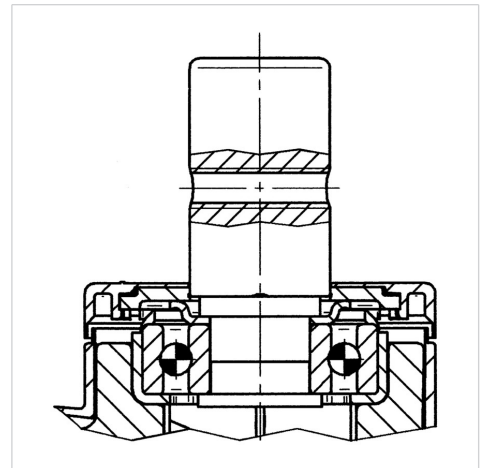


Picture may differ from original product

## Technical Data

|                        |                 |
|------------------------|-----------------|
| Wheel diameter         | 150 mm          |
| Wheel width            | 15 mm           |
| Castor width           | 70 mm           |
| Bolt-Ø                 | 32 mm           |
| Bolt length            | 45 mm           |
| Offset                 | 45 mm           |
| Swivel Interference    | 240 mm          |
| Overall height         | 175 mm          |
| Temperature            | - 30 / + 80 °C  |
| Standard               | similar_EN12531 |
| Weight                 | 1.545 kg        |
| Swivel Radius          | 120 mm          |
| Hardness of tread      | Shore D 42      |
| Load capacity          | 150 kg          |
| Load capacity (static) | 450 kg          |

## Structure & Mounting



## Advantages at a glance

|                      |           |
|----------------------|-----------|
| Roll performance     | ● ● ● ● ● |
| Movement noise       | ● ● ● ○ ○ |
| Attrition            | ● ● ● ● ○ |
| Corrosion resistance | ● ● ● ○ ○ |

# INTEGRAL TWIN

2940UAP150R05-32

EAN 4031582302516



BETTER MOBILITY. BETTER LIFE.

## Structure & Mounting

---

