

LUMINA

A520UOI035L51-8

EAN 4031582317206

Swivel castor, housing made of Polypropylene, with blind hole fitting.
Wheel centre made of Polyamide, plain bearing



BETTER MOBILITY. BETTER LIFE.

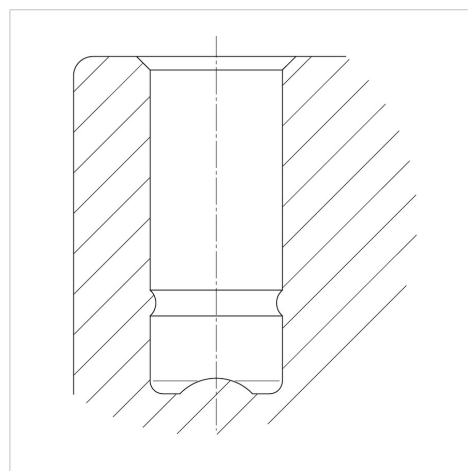


Picture may differ from original product

Technical Data

Wheel diameter	35 mm
Wheel width	6 mm
Castor width	38 mm
Centre hole	8 mm
Offset	9 mm
Swivel Interference	66 mm
Overall height	39 mm
Temperature	- 20 / + 60 °C
Standard	EN_12528
Weight	0.02 kg
Swivel Radius	33 mm
Hardness of tread	Shore D 65
Load capacity	20 kg
Load capacity (static)	40 kg

Structure & Mounting



Advantages at a glance

Roll performance	● ● ● ○ ○
Movement noise	● ● ● ○ ○
Attrition	● ● ● ○ ○
Corrosion resistance	● ● ● ○ ○