

# OMIKRON

9258FTP400P66

EAN 4031582314106

Fixed castor, Fork and plate steel welded, zinc plated, blue passivated, wheel axle with nut, plate fitting.

Wheel centre made of cast iron, Tread: Polyurethane, casted, precision ball bearing



BETTER MOBILITY. BETTER LIFE.

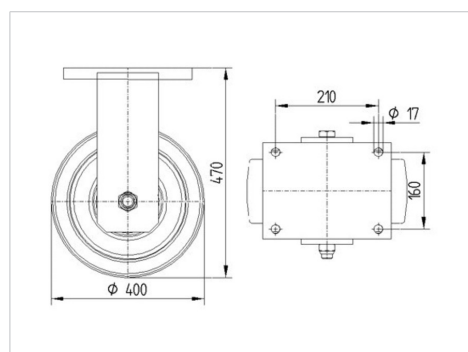


Picture may differ from original product

## Technical Data

Wheel diameter	400 mm
Wheel width	100 mm
Castor width	182 mm
Size of Plate	250 x 200 mm
Plate hole centres	210 x 160 mm
Plate hole	17 mm
Dome-Ø	160 mm
Overall height	470 mm
Temperature	- 10 / + 60 °C
Standard	EN_12533
Weight	41.154 kg
Hardness of tread	Shore A 92
Load capacity	3840 kg
Load capacity (static)	7680 kg

## Dimensions



## Advantages at a glance

Roll performance	● ● ● ● ○
Movement noise	● ● ● ○ ○
Attrition	● ● ● ● ○
Corrosion resistance	● ● ● ○ ○

# OMIKRON

9258FTP400P66

EAN 4031582314106



BETTER MOBILITY. BETTER LIFE.

## Structure & Mounting

