

RADIATA

994TETP080P63

EAN 4031582428988

, housing made of heavy pressed steel, bright zinc plated, blue passivated, precision ball bearing swivel head, sealed, wheel axle with nut, plate fitting. Wheel centre made of steel, Tread: Polyurethane, casted, precision ball bearing.



BETTER MOBILITY. BETTER LIFE.

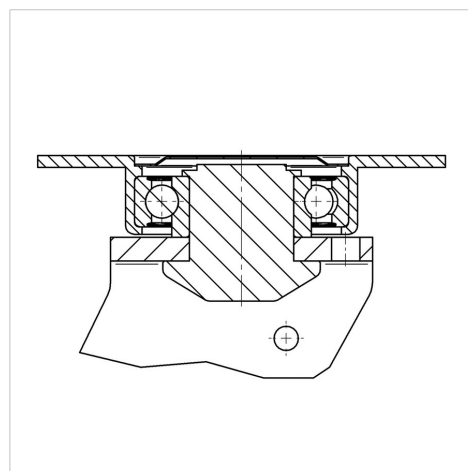


Picture may differ from original product

Technical Data

Wheel diameter	80 mm
Wheel width	40 mm
Size of Plate	135 x 110 mm
Plate hole centres	105 x 80 / 75 mm
Plate hole	11 mm
Swivel Interference	427 mm
Overall height	146 mm
Temperature	- 20 / + 60 °C
Weight	18.89 kg
Hardness of tread	Shore A 92
Load capacity	1200 kg

Structure & Mounting



Advantages at a glance

Roll performance	● ● ● ● ●
Movement noise	● ● ● ○ ○
Attrition	● ● ● ● ○
Corrosion resistance	● ● ● ○ ○

RADIATA

994TETP080P63

EAN 4031582428988



BETTER MOBILITY. BETTER LIFE.

Structure & Mounting

